

TW 1 SERIES SINGLE-AXIS HAND OPERATED JOYSTICK

TW1系列
拇指型单轴操作手柄

产品特点 Product Features

- Thumb operation
- Spring return
- Uncontact hall effect



应用范围 Application

The series of products are mainly used in a variety of operating handle

技术参数 Technical Information

Electrical data

Power supply	5±0.5Vdc
Supply current (max)	10mA
Center tap output voltage	2.5±0.1V
Output linearity tolerance	<±0.2V
Maximum allowable overload voltage	30Vdc
Reverse maximum allowable voltage	-15Vdc

Mechanical features

Travel angle	±42°
Operating type	Spring return
Breakout force	about 2N
Operating force (max)	about 11N
Maximum allowable force	about 100N
Expecting life	>100 thousand cycles
Weight	about 15g

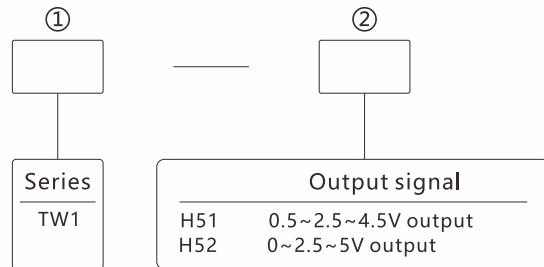
Environmental data

Operating Temperature	-30°C ~ +70°C
Storage Temperature	-40°C ~ +85°C
Protection level	IP67 (Only for electronic part)

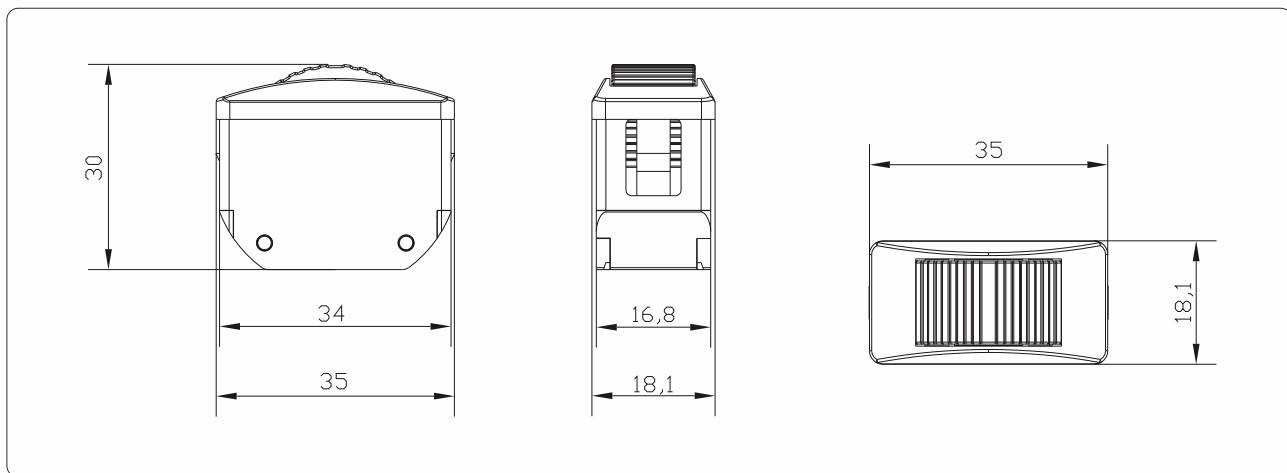


TW 1 SERIES SINGLE-AXIS HAND OPERATED JOYSTICK

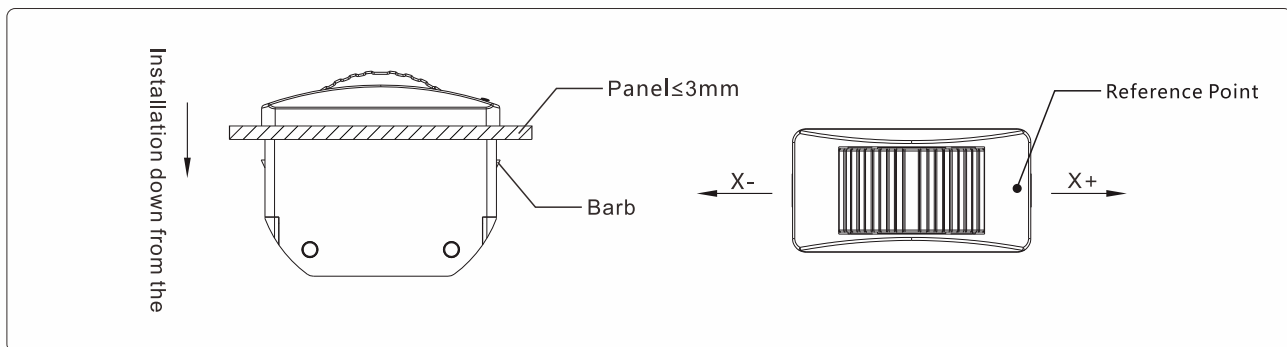
产品选型 Product Configuration



外形尺寸 Dimensions



机械安装 Product Installation



电气安装 Electrical Connections

NO.	Function	Color
1	5V	Red
2	0V	Black
3	OUT	Green

